

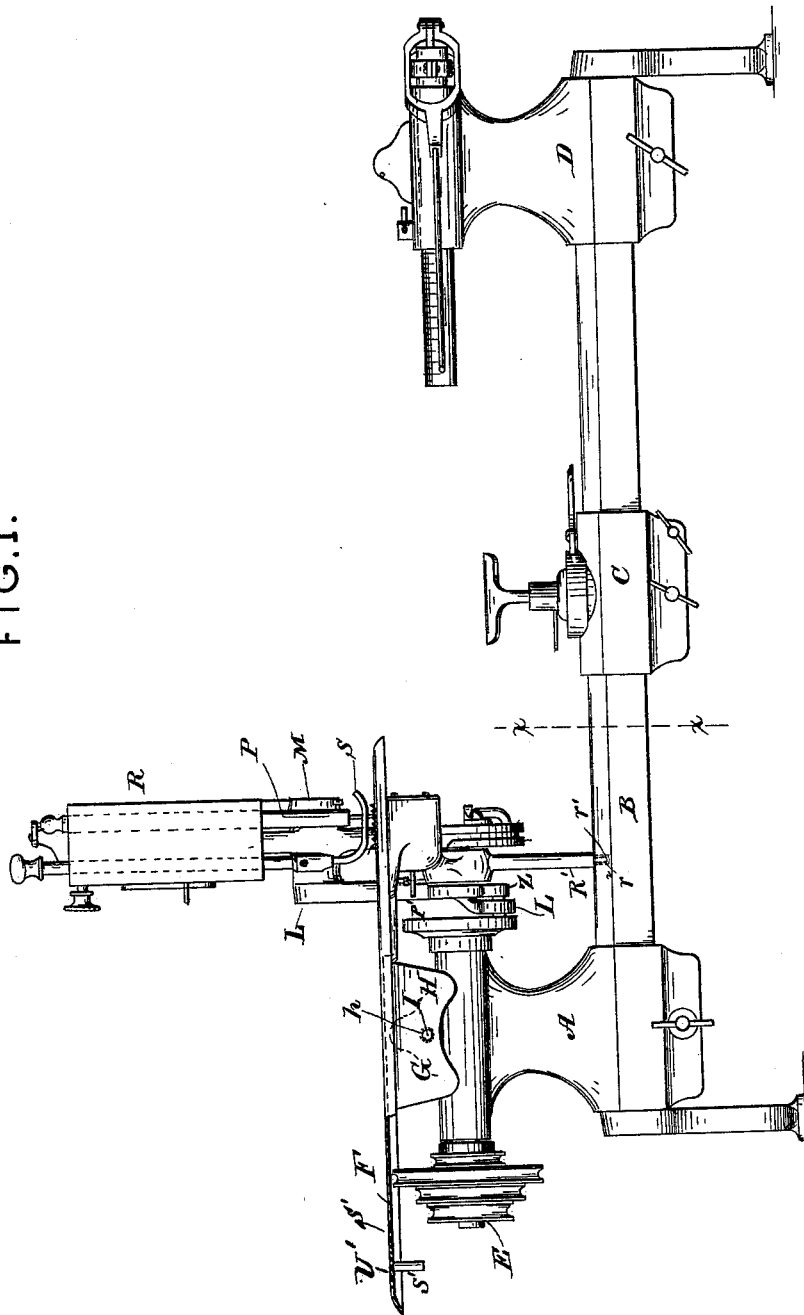
J. W. POST.

Sewing-Machine Attachment for Lathe.

No. 220,496.

Patented Oct. 14, 1879.

FIG. 1.



WITNESSES
Saul R. Turner
D. P. Cook

By *J. R. Nottingham* ATTORNEY
 INVENTOR
John W. Post

J. W. POST.

Sewing-Machine Attachment for Lathe.

No. 220,496.

Patented Oct. 14, 1879.

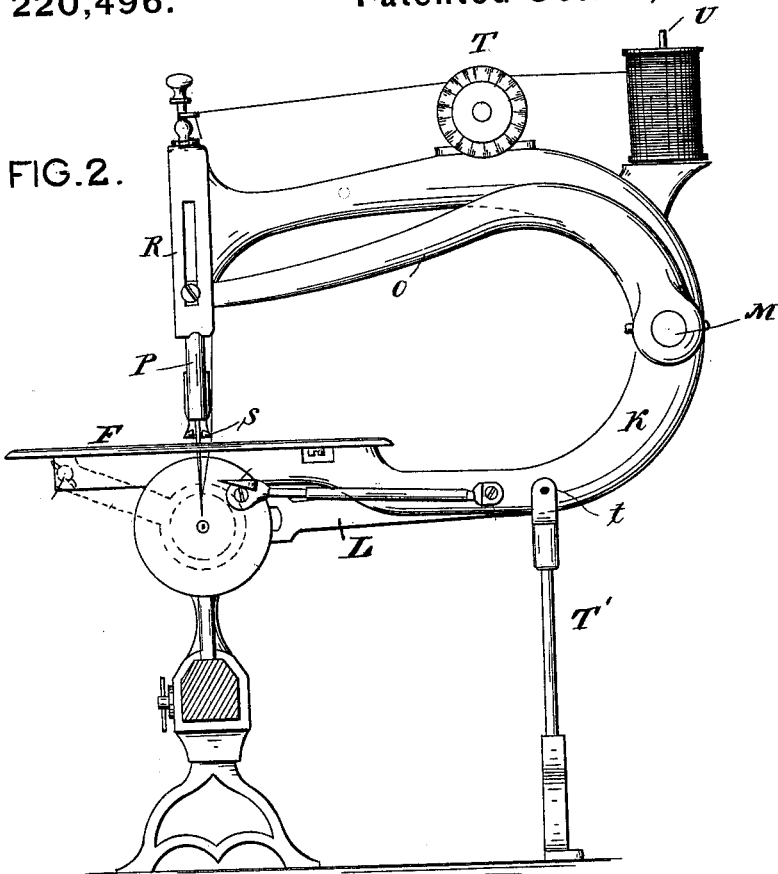
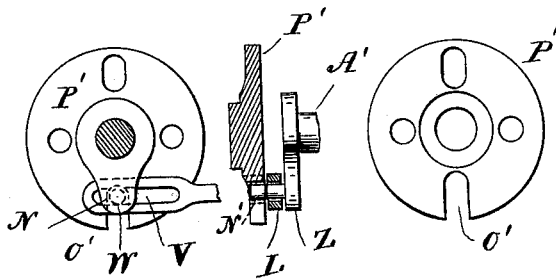


FIG. 3.



WITNESSES
Saml R. Turner
D. P. Cowl

By

INVENTOR
John W. Post
 By *J. R. Nottingham*
 ATTORNEY

UNITED STATES PATENT OFFICE.

JOHN W. POST, OF NEW YORK, N. Y.

IMPROVEMENT IN SEWING-MACHINE ATTACHMENTS FOR LATHES.

Specification forming part of Letters Patent No. **220,496**, dated October 14, 1879; application filed February 10, 1879.

To all whom it may concern:

Be it known that I, JOHN W. POST, of the city of New York, in the county of New York and State of New York, have invented certain new and useful Improvements in Sewing-Machine Attachments for Lathes; and I do hereby declare that the following is a full, clear, and exact description of the invention, which will enable others skilled in the art to which it appertains to make and use the same, reference being had to the accompanying drawings, and to letters of reference marked thereon, which form a part of this specification.

This invention relates to certain improvements in that class of lathes recently introduced into the market, and which are specially designed for amateur work; and it has for its object to increase the range of work of such lathes by providing the same with a sewing-machine attachment, which can be readily secured to the lathe, as more fully hereinafter described.

To this end my invention consists in the combination, with the back or stationary puppet of a lathe, of a sewing-machine adapted to be secured to said puppet, the driving-shaft of the same being adapted to be connected with the revolving mandrel of the puppet, whereby the sewing-machine may be put in motion, as more fully hereinafter specified.

In the drawings, Figure 1 represents a side elevation of my improved lathe and attachment; Fig. 2, a sectional view on the line *x x* of Fig. 1; and Fig. 3, a detached view of the front end of the mandrel and the adjacent parts, showing the mechanism by means of which the machine is driven, in detail.

The letter A represents the back puppet of a lathe, which may be of any improved pattern or construction. In the present instance, said lathe is of that variety known as a bar-lathe, in which the movable puppet and rest slide upon a bar instead of upon ways or sheaves.

The letter B represents the bar upon which the puppets are mounted, and C and D, respectively, the rest and movable puppets. These latter may be made of any description or pattern without changing the nature of my

invention. The mandrel at its rear end is provided with the usual cone-pulley E, by means of which motion is imparted to the same by a band passing over a suitable driving-wheel in the ordinary manner.

The letter F represents a metallic table or platform, having secured to or formed on its under side a hanger, G, which is slotted so as to straddle a standard, H, rising from the top of the stationary puppet, said hanger and standard being provided with apertures *h*, respectively, which will coincide when the hanger is in place upon the standard, and permit of the insertion of a pin, I, to secure the hanger and its plate to said standard. To the forward end of the plate is detachably secured, by means of screws or otherwise, a sewing-machine standard, K, which extends to the rear of the lathe when the plate is attached thereto.

The letter L represents the driving-lever of the sewing-machine, secured to one end of a short shaft, M, journaled in the standard K and passing through the same, said shaft carrying at its other end the needle-bar lever O, the forward end of which is connected with the needle-bar P, which is adapted to reciprocate in suitable ways in the head R of the standard K.

The letter S represents the presser-foot; T, the tension device, and U the spool-holder, which may be of any approved pattern or construction.

The forward end of the driving-lever is slotted, as shown at V, through which slot is adapted to pass a crank-pin, W, secured to a crank, Z, which is mounted upon a shaft, A', journaled in and passing through the base of the standard K. The crank-pin W is preferably provided with a friction-roller, N', on its end, and is adapted to set in a slot, O', formed in the face-plate P'.

Motion is communicated to the driving-lever of the sewing-machine and the shaft of the revolving disk by means of the pin when the mandrel is rotated.

In order to steady the standard K and secure the sewing-machine attachment more rigidly to the lathe, the base of the standard is provided with a leg, R', which is provided at

its lower extremity with a pin, r^1 , adapted to set in a recess, r^2 , in the bar of the lathe.

The plate is provided with a transverse slot, S' , directly at the rear end of the mandrel, through which a buzz-saw, which may be secured to said rear end of the mandrel, is adapted to work, the sewing-machine standard in this case being removed from the plate in order to enable the apparatus to be employed for sawing when desired.

The letter T' represents an auxiliary support, pivoted at t to the standard K , and adapted to rest upon the stand of the lathe, to assist in keeping the sewing-machine attachment in position.

The letter U' represents a slot, formed in the plate at the rear of the slot S' , through which a jig-saw is adapted to work by means of attachments adapted to be secured in hangers depending from the plate or platform F , one of said hangers being shown at s' .

The stitch-forming mechanism forms no part of the present invention, and therefore a detailed description of the same is deemed unnecessary.

The operation of my improved sewing-ma-

chine attachment, in connection with the running-gear of the lathe, will be apparent from the above description; hence further description is deemed unnecessary.

Having thus fully described my invention, what I claim, and desire to secure by Letters Patent, is—

1. In combination with the back puppet of a lathe, a sewing-machine attachment adapted to be secured thereto, and provided with a crank on its driving-shaft adapted to set in a slot formed for the purpose in the face-plate of the lathe, substantially as specified.

2. In combination with the base of the standard, the supporting-leg R' , attached thereto, having a pin, r^1 , on its lower end, which sets in a recess, r^2 , in the lathe-bed, when the sewing-machine attachment is in place, substantially as specified.

In testimony that I claim the foregoing as my own I affix my signature in presence of two witnesses.

JOHN W. POST.

Witnesses:

J. R. NOTTINGHAM,
WILLIAM FITCH.